

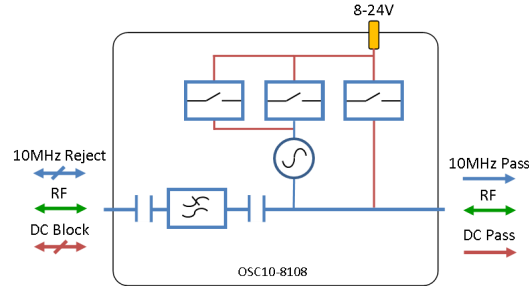


RF Components

10 MHz Oscillator

850 - 2150 MHz

Model Number:
OSC-10-8108



- 10 MHz Ovenised Oscillator
- Selectable output power
- 10 MHz & DC multiplexed output
- Input RF port to take L-band signal and multiplex the 10MHz internal source
- Option to insert DC onto the output port
- 10MHz and DC independently controlled by ON/OFF switch.
- Requires 8-48V. External DC

Available with RF connector options:

- 50 Ω SMA
- 50 Ω N-type
- 50 Ω BNC
- 75 Ω BNC
- 75 Ω F-type

8-48V
External DC
powering



850-2150 MHz
Operating frequency
range.

Compact
Housed in
rugged compact
enclosure

RF Parameters						
OSC-10-8108	S5S5	N5N5	B5B5	B7B7	F7F7	
Frequency Range	850 - 2150 MHz					
RF Connectors	50Ω SMA	50Ω N-Type	50Ω BNC	75Ω BNC	75Ω F-Type	
Insertion Loss (dB)	Typ.	0.5	0.5	0.5	0.7	0.7
	Max.	1.0	1.0	1.0	1.0	1.0
Flatness ± (dB)	0.25	0.25	0.3	0.4	0.5	
Return Loss L-band port (dB)	Typ.	16	16	14	10	10
	Min.	10	10	10	8	8
Return Loss Multiplexed port (dB)	Typ.	15	15	12	10	10
	Min.	10	10	10	8	8
10MHz Rejection is -55dB* *to ports which are applicable						

Broadcast



Marine Oil & Gas



SNG & VSAT



Satellite Teleport





RF Components

Model Number:
OSC-10-8108
10 MHz Oscillator

Technical specifications and operating parameters

Environmental		
Operating Temperature		0°C to +55°C
Storage Temperature		-20°C to +75°C
Location		Indoor use Only
Humidity	Max	85% non-condensing
Altitude	Max	10,000 feet

Max Operating Parameters		
Input RF Power		+36 dBm
DC Voltage		55V
DC Current	Max	3A

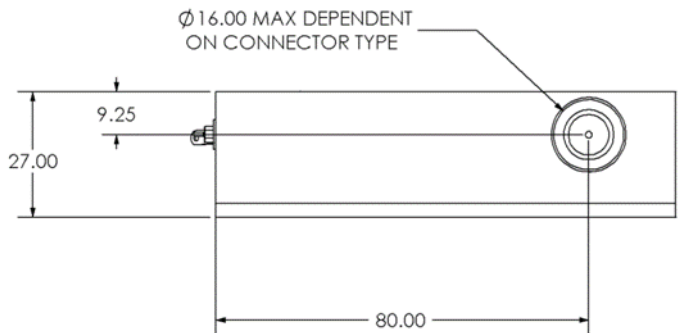
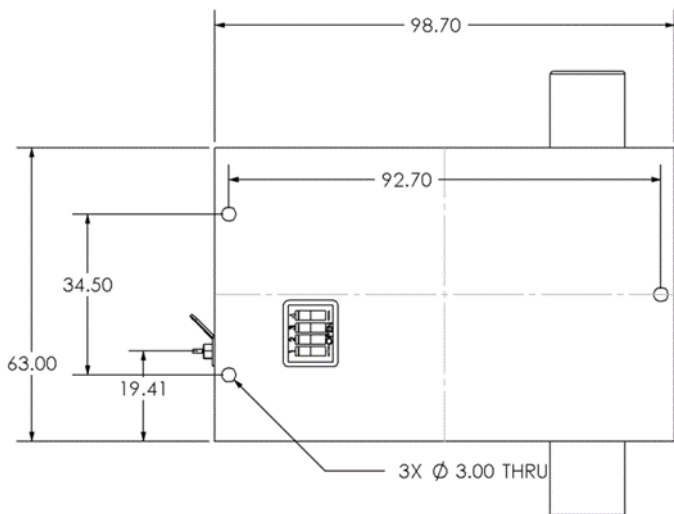
! Operation beyond these limits may cause instantaneous and permanent damage.

Phase Noise Characteristics (dBc/Hz)	
1Hz	<-85
10Hz	<-115
100Hz	<-140
1000Hz	<-150
10000Hz	<-155

Oscillator Characteristics	
Frequency Stability	
Over temperature	$< \pm 3 \times 10^{-8}$ (Warm up time at 25°C $< \pm 1 \times 10^{-7}$ is less than 2 minutes)
Short Term Stability (per second)	$< \pm 1 \times 10^{-11}$
Load change	$< \pm 5 \times 10^{-9}$
Over Time (per year)	$< \pm 5 \times 10^{-8}$
Stability with Aging	
Per Day	$< \pm 2 \times 10^{-9}$
Per Year	$< \pm 5 \times 10^{-7}$

10MHz Source Characteristics		
Frequency Setting		10,000,000 \pm 10 MHz
Level (dBm)		0, 5, 10 or 15 \pm 1.5
Output Type		Sinewave
Harmonic Rejection	2nd	>50 dB
	3rd	>40 dB
	4th	>45 dB
	5th	>60 dB

Physical Dimensions (mm)



Note: The specification is subject to regular reviews and will be updated from time to time as part of our continuing product development and improved specification accuracy.

ETL SYSTEMS LIMITED
Coldwell Radio Station
Madley
Hereford
England HR2 9NE

TELEPHONE
+44 (0)1981 259020

EMAIL
info@etlsystems.com

FACSIMILE
+44 (0)1981 259021

WEB
www.etlsystems.com





RF Components

Model Number:

OSC-10-8108

10 MHz Oscillator

Table of Operations

Switch	Function	
	Closed	Open
Sw1	+5dB Gain	No Gain
Sw2	+10dB Gain	No Gain
Sw3	10MHz Inject	10 MHz inject off
Sw4	DC Inject	DC inject off

Note: The specification is subject to regular reviews and will be updated from time to time as part of our continuing product development and improved specification accuracy.

ETL SYSTEMS LIMITED
Coldwell Radio Station
Madley
Hereford
England HR2 9NE

TELEPHONE
+44 (0)1981 259020

EMAIL
info@etlsystems.com

FACSIMILE
+44 (0)1981 259021

WEB
www.etlsystems.com

